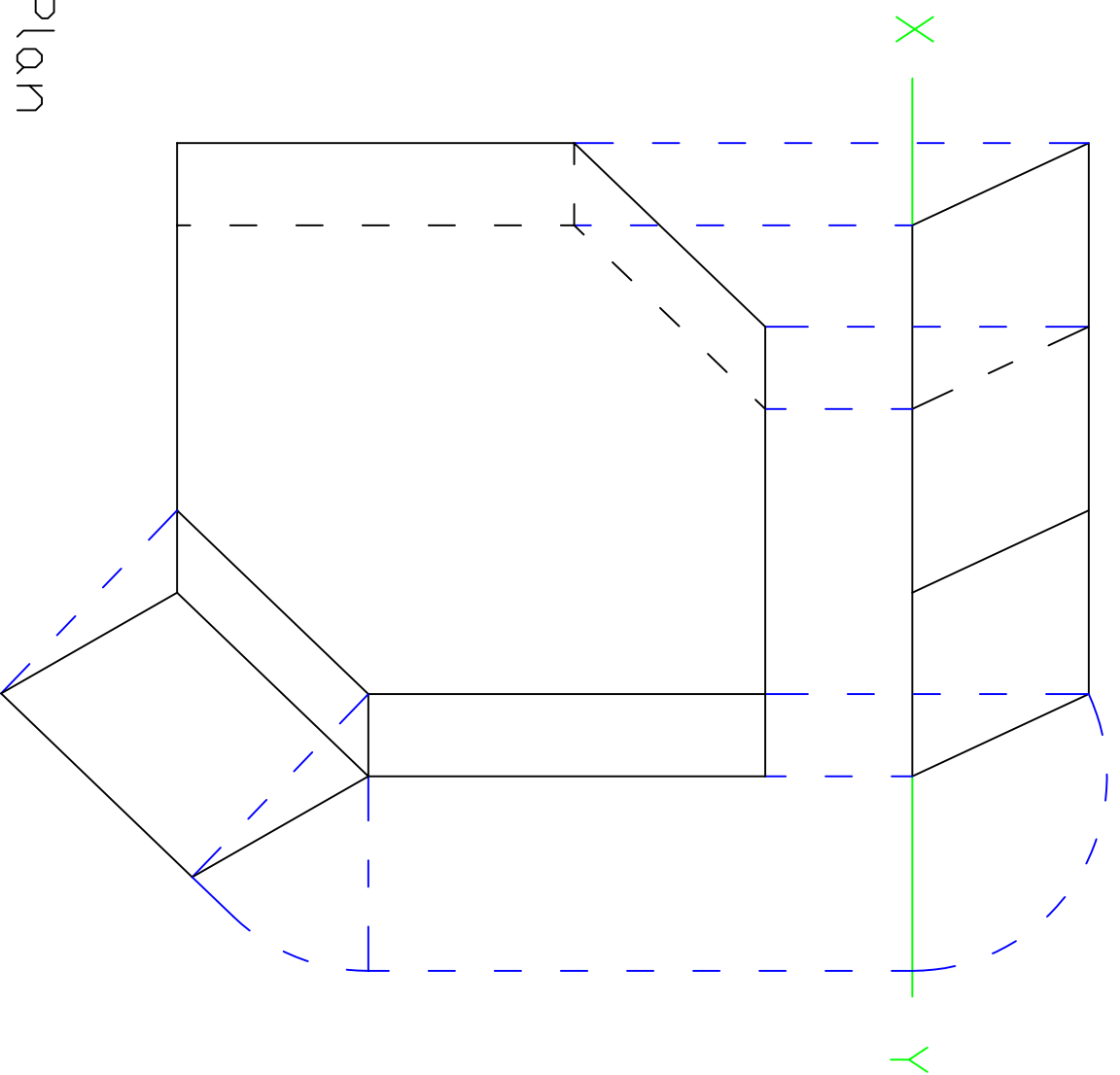
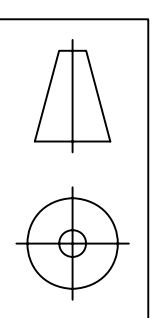
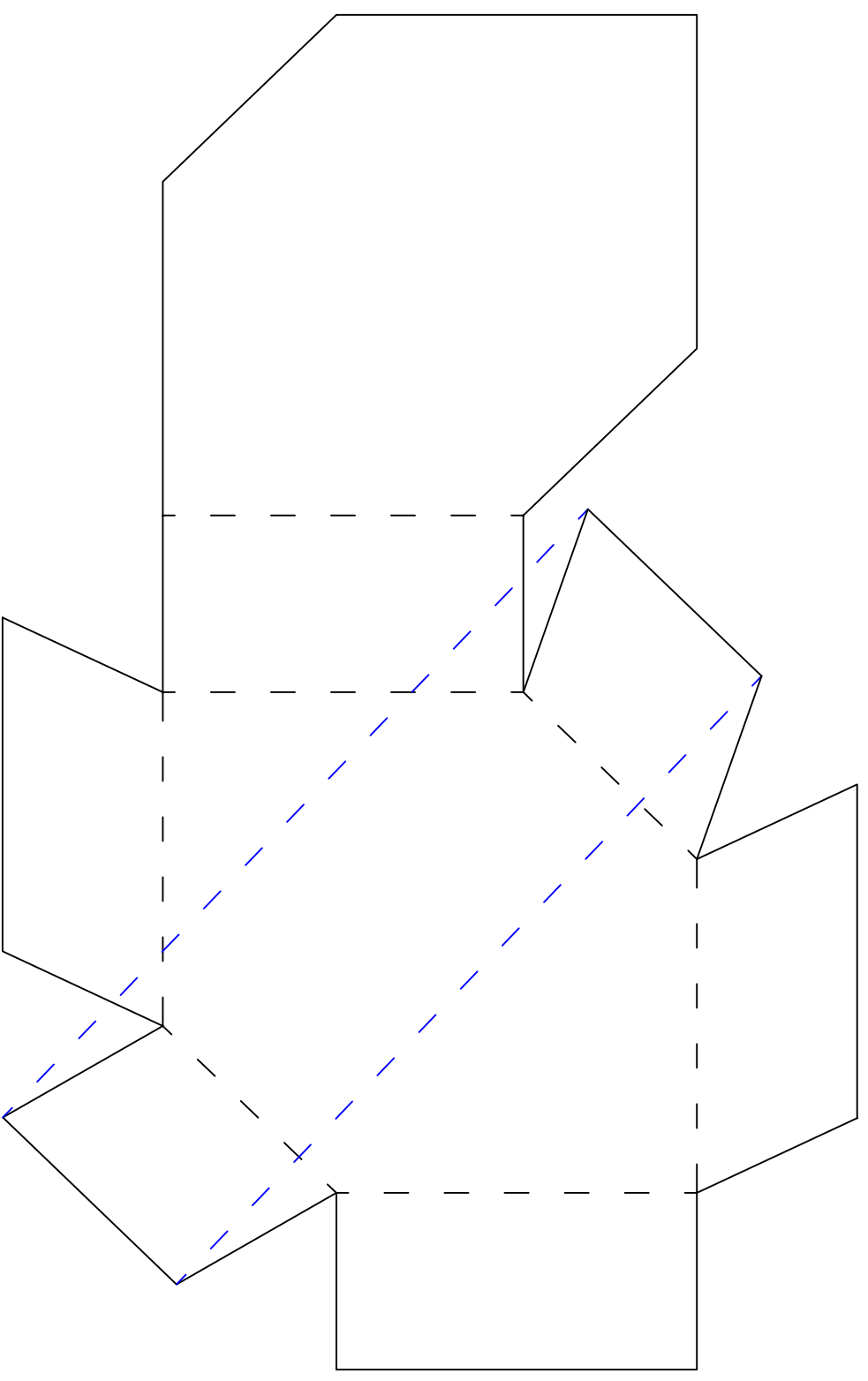


Elevation

Plan



Development



Junior Certificate	
2000	Developments
HL	
Sect B	Question 4