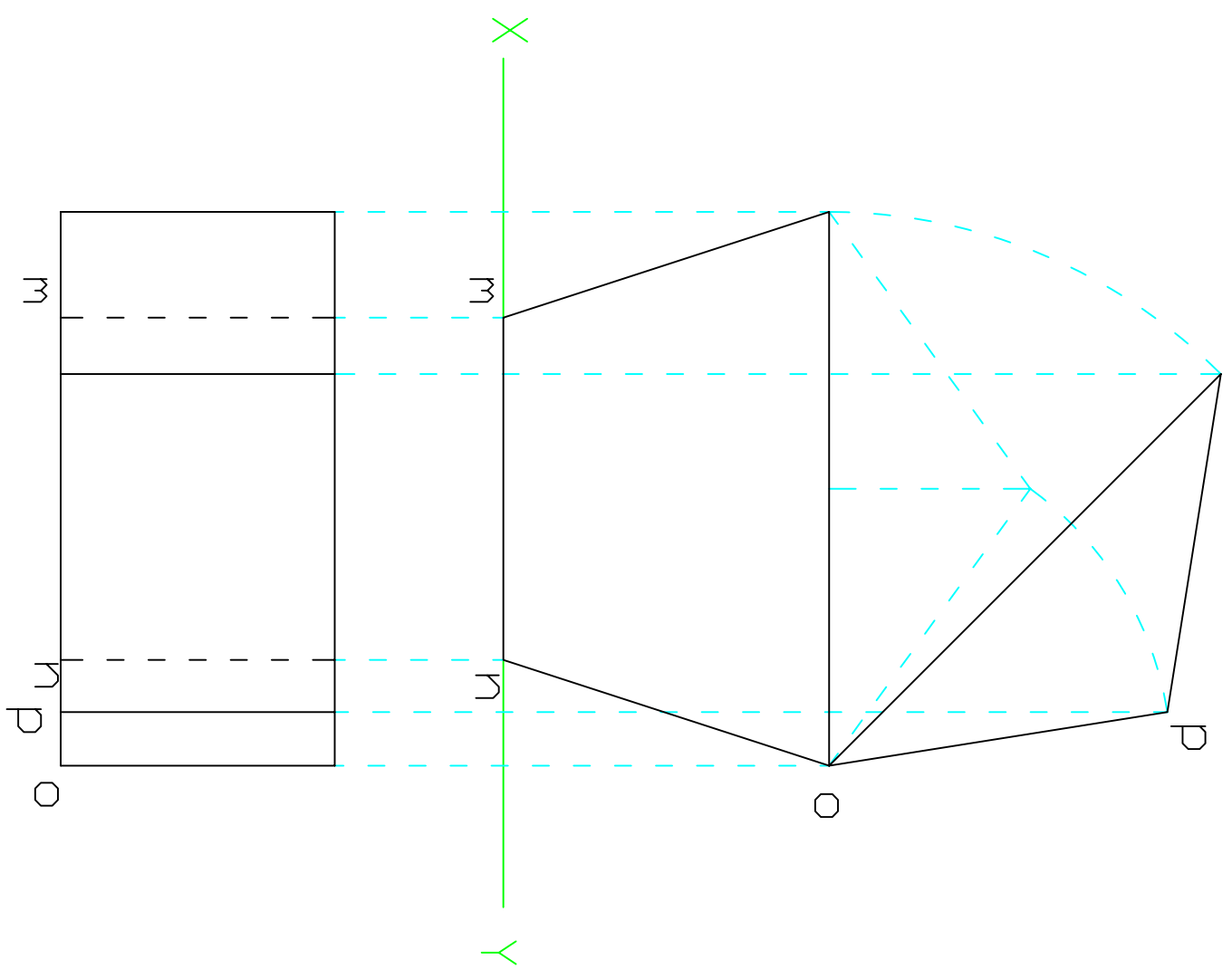
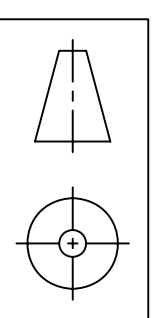
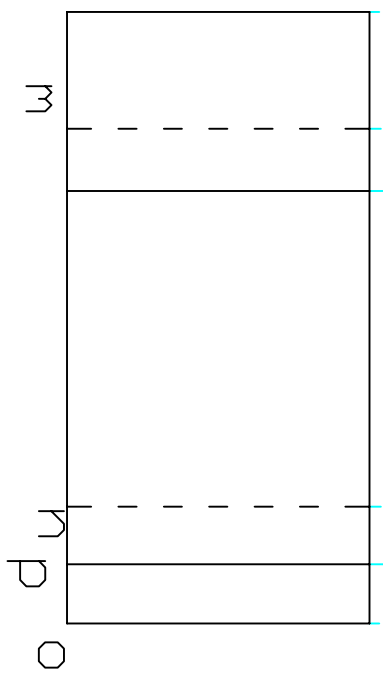


Elevation



Plan



Junior Certificate	
1994	Rotation
DL	
Sect B	Question 5