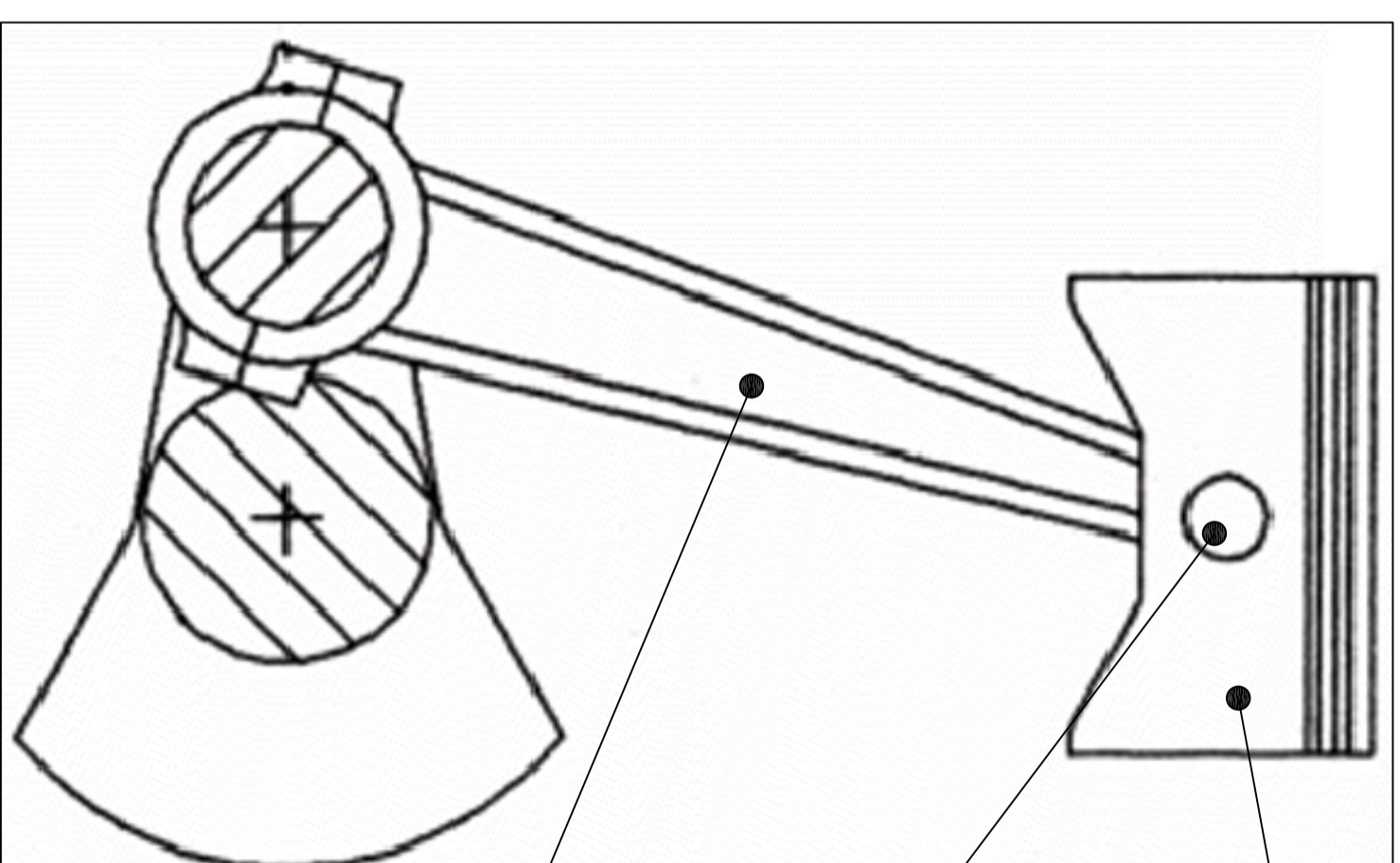
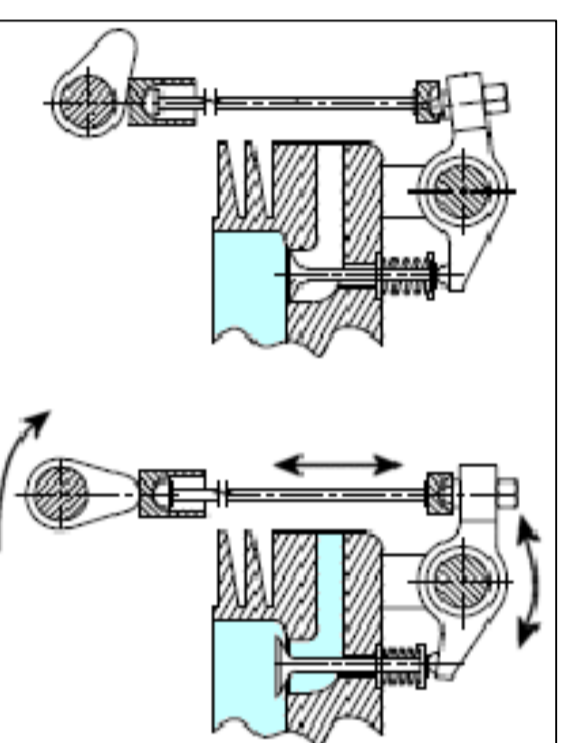


Part	Name
1	Cam
2	Pushrod
3	Rocker
4	Valve
5	Camshaft

In the first diagram the "outlet" valve is closed. As the Cam rotates it pushes up on the Pushrod, causing the Rocker to tilt and push down on the Valve, opening it.

As the Cam continues to rotate the Pushrod will fall down and the Valve will close due to the pressure of the Valve Spring.

The Valve will continue to open and close as the Cam rotates.



(i) A piston is a rigid, lubricated sliding shaft that fits tightly inside the opening of a cylinder. Its purpose is to change the volume enclosed by the cylinder.

(iii) In piston engines, the gudgeon pin connects the piston to the connecting rod and provides a bearing for the connecting rod to pivot as it moves.

(ii) In a piston engine, the Connecting Rod connects the piston to the crank or crankshaft.