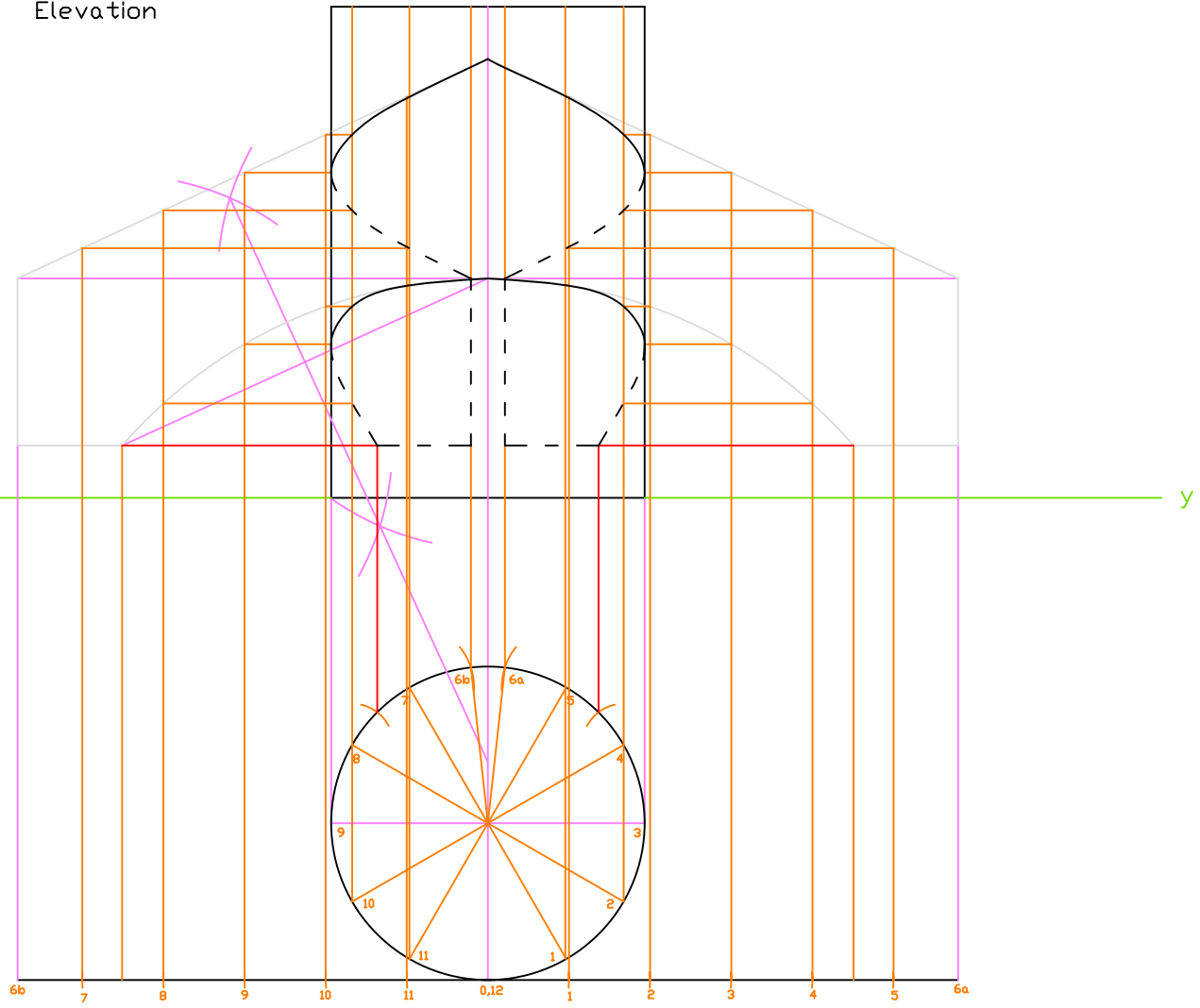


Elevation



Plan

Leaving Certificate	
Paper 1	Loci
OL	Question 5
1991	