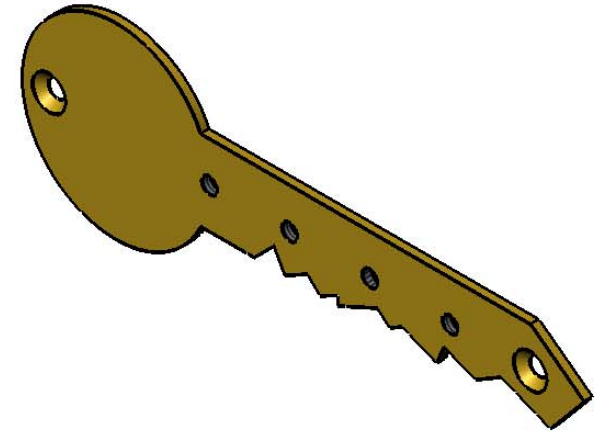
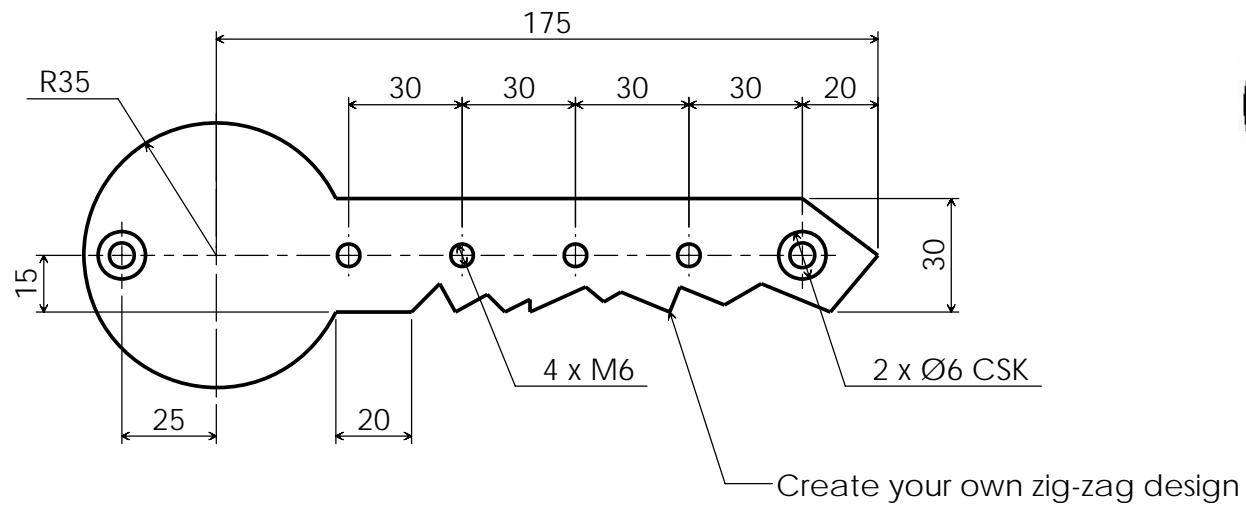




Name : _____

Part	Complete
1	
2	



The Key Shaped Key Holder

J.C.

PracticalStudent.com

Part Number : 1

Part Name : Backplate

Material : Brass, Steel or Copper

A4

2/8/07

Required : 1

Drawing 1 of 1

Before Starting

Tools for Marking Out :

Tools for Manufacturing :

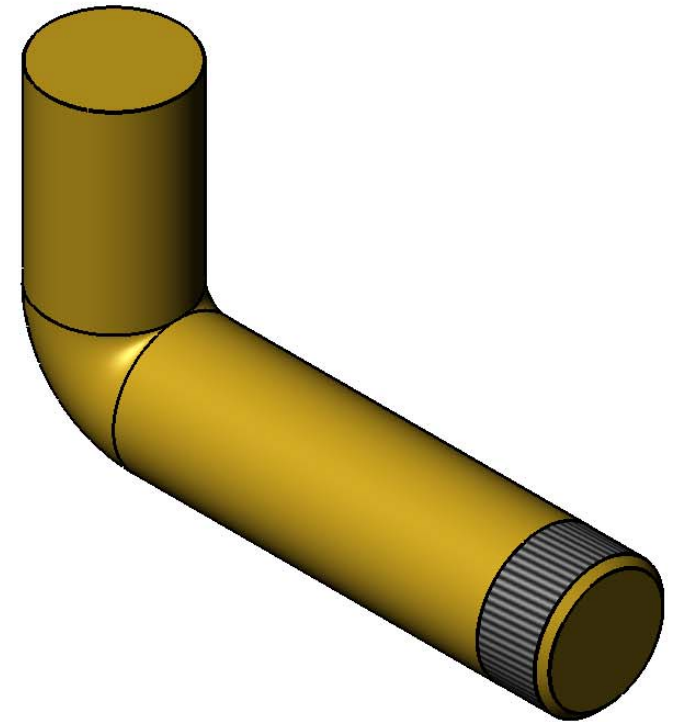
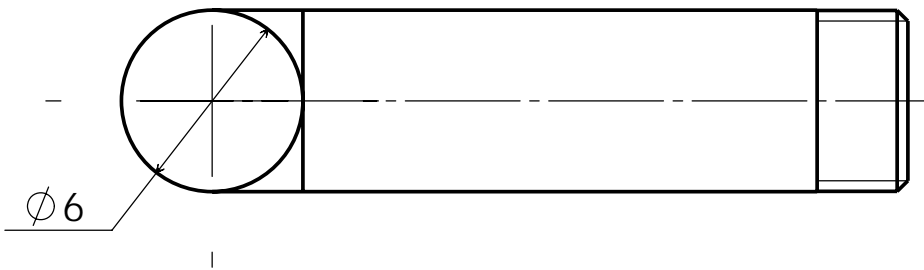
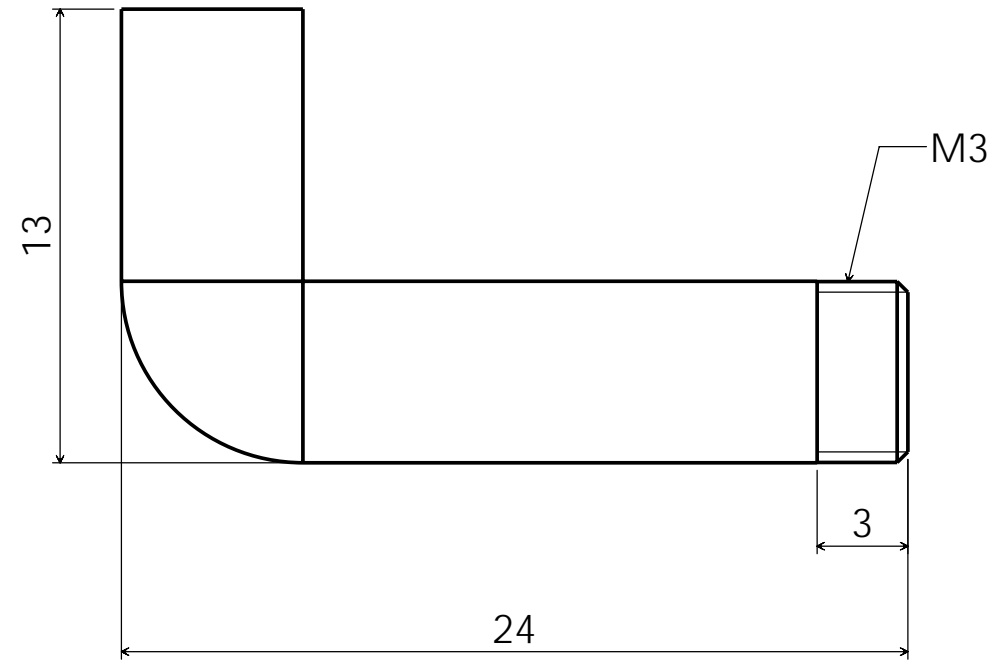
Skill I am going to concentrate on :

After completion

Marking Accuracy	Poor	Medium	Good
Hacksawing & Filing Quality	Poor	Medium	Good
Surface Finish	Poor	Medium	Good

What did I do well :

What do I need to improve on :



The Key Shaped Key Holder	J.C.
PracticalStudent.com	
Part Number : 2	
Part Name : Hook	
Material : Brass, Steel or Copper	A4
Required : 4	2/8/07
Drawing 1 of 1	

Before Starting

Tools for Marking Out :

Tools for Manufacturing :

Skill I am going to concentrate on :

After completion

Marking Accuracy	Poor	Medium	Good
Hacksawing & Filing Quality	Poor	Medium	Good
Surface Finish	Poor	Medium	Good

What did I do well :

What do I need to improve on :