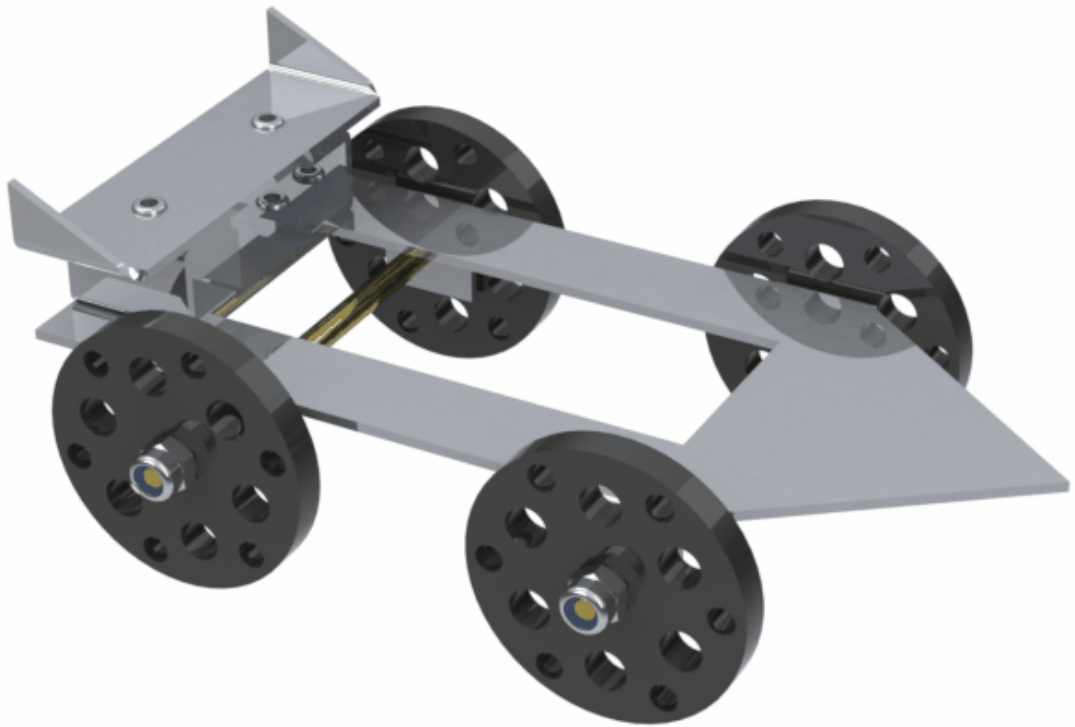
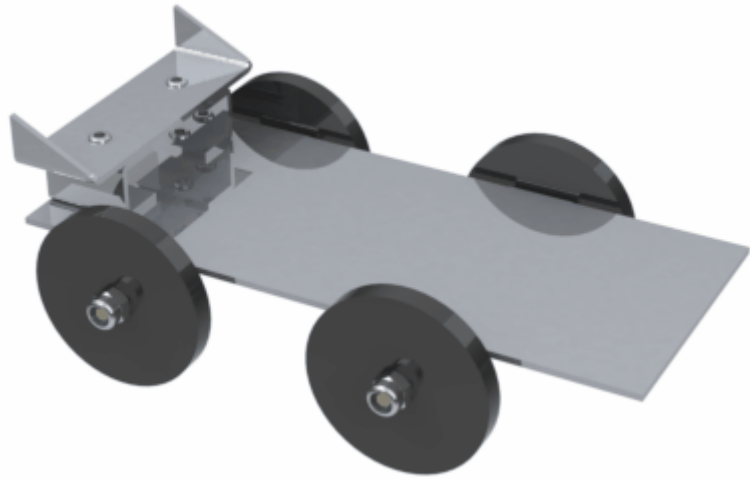
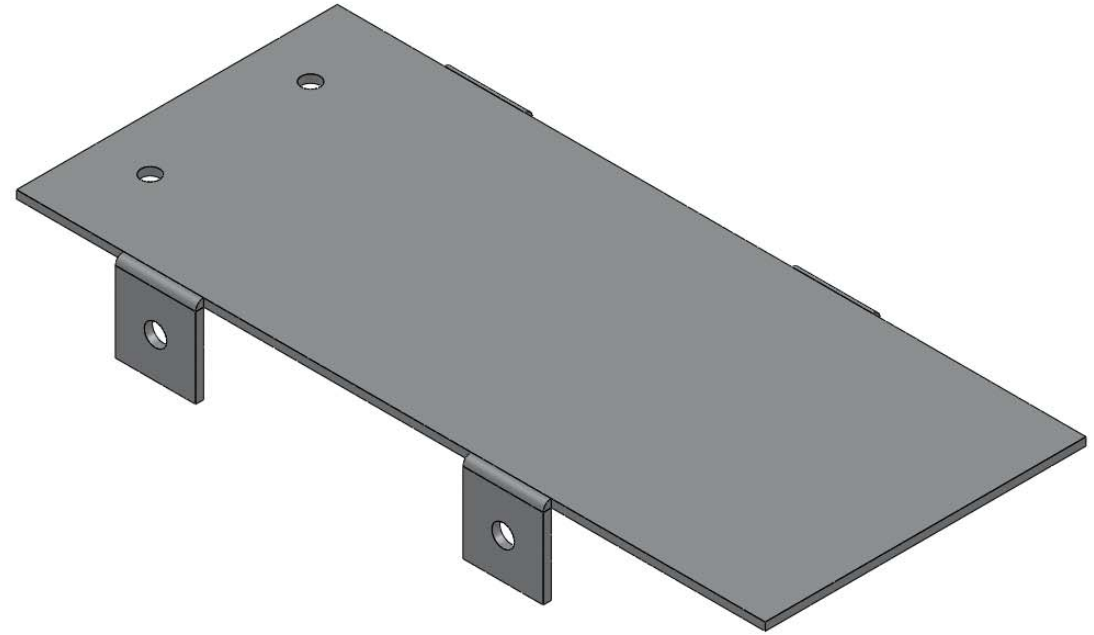
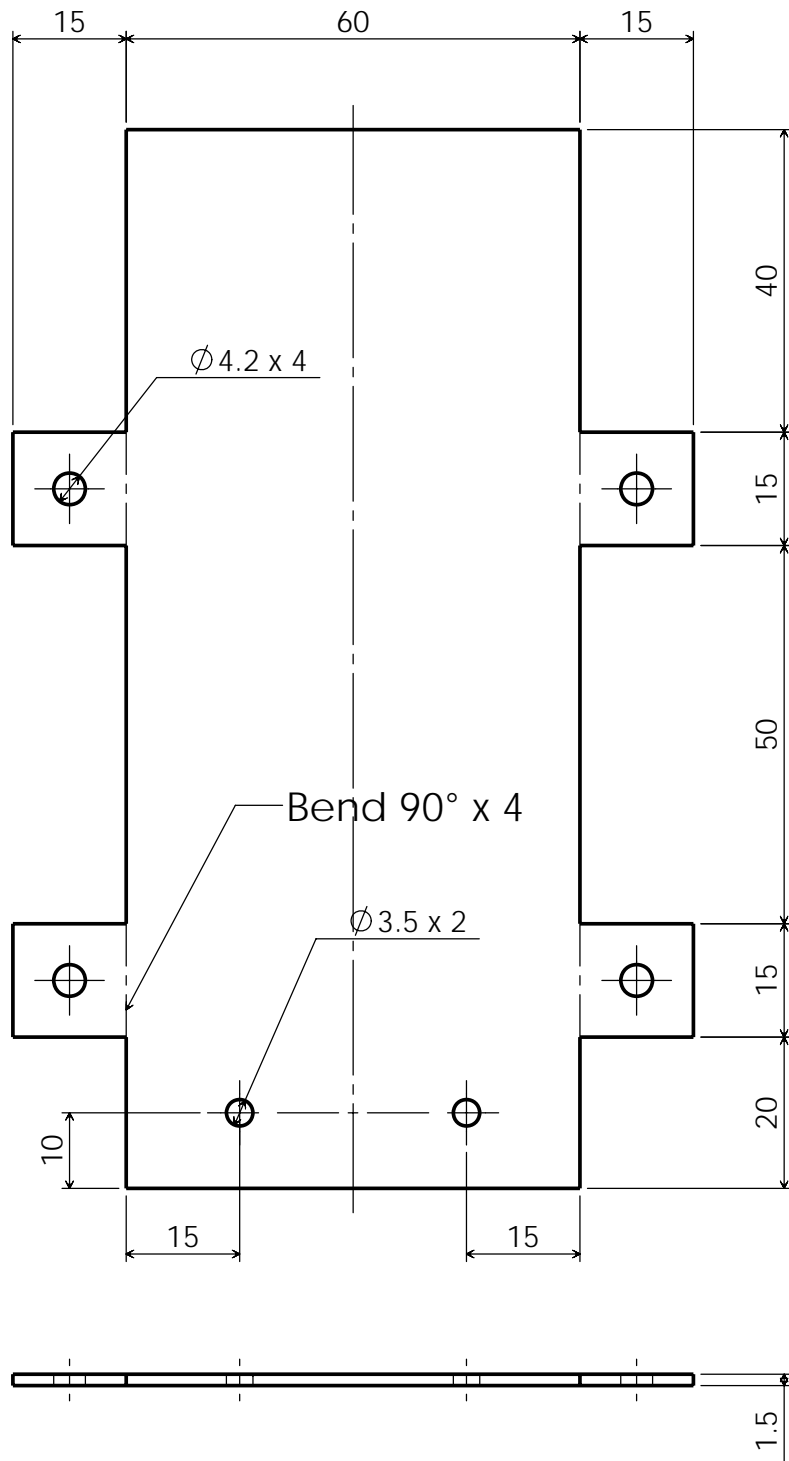


Name : _____

Part	Complete
1	
2	
3	
4	
5	





1st Racing Car	2011
PracticalStudent.com	
Part Number : 1	
Part Name : Body	
Material : Aluminium	A4
	2/1/11
Required : 1	Drawing 1 of 5

Before Starting

Tools for Marking Out :

Tools for Manufacturing :

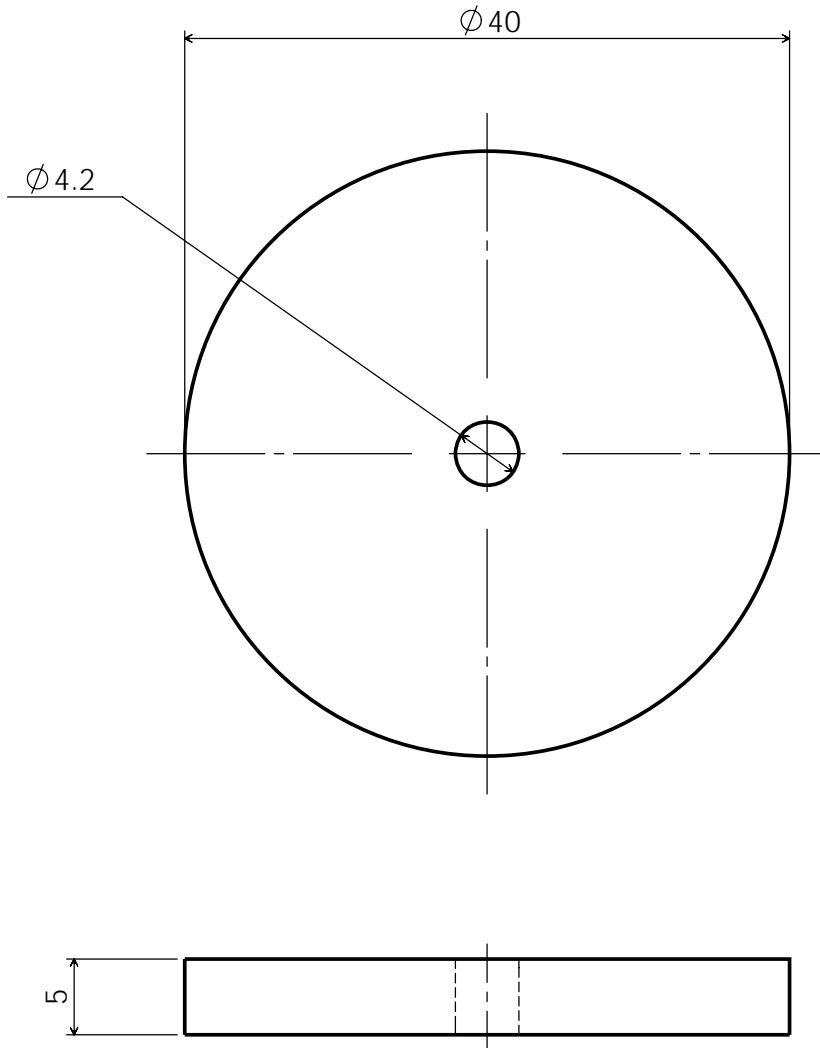
Skill I am going to concentrate on :

After completion

Marking Accuracy	Poor	Medium	Good
Hacksawing & Filing Quality	Poor	Medium	Good
Surface Finish	Poor	Medium	Good

What did I do well :

What do I need to improve on :



1st Racing Car	2011
PracticalStudent.com	
Part Number : 2	
Part Name : Wheel	
Material : Black Acrylic	A4
	2/1/11
Required : 4	Drawing 2 of 5

Before Starting

Tools for Marking Out :

Tools for Manufacturing :

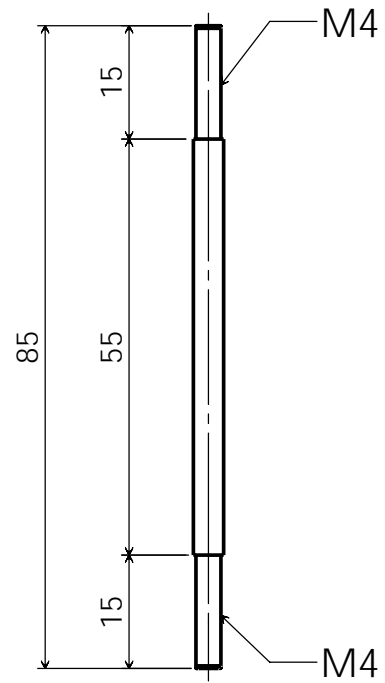
Skill I am going to concentrate on :

After completion

Marking Accuracy	Poor	Medium	Good
Hacksawing & Filing Quality	Poor	Medium	Good
Surface Finish	Poor	Medium	Good

What did I do well :

What do I need to improve on :



1st Racing Car	2011
PracticalStudent.com	
Part Number : 3	
Part Name : Axle	
Material : Brass	A4
	2/1/11
Required : 2	Drawing 3 of 5

Before Starting

Tools for Marking Out :

Tools for Manufacturing :

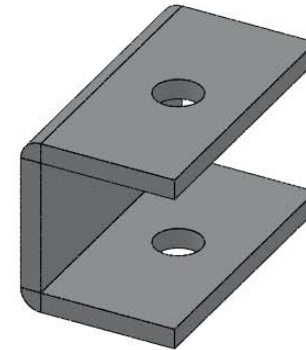
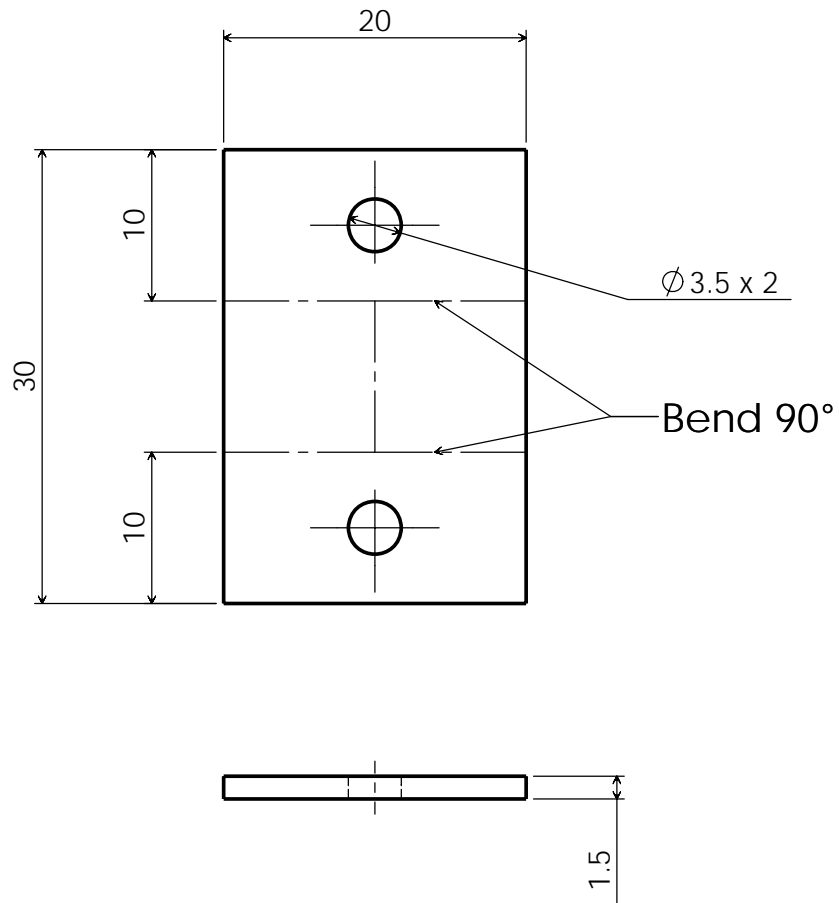
Skill I am going to concentrate on :

After completion

Marking Accuracy	Poor	Medium	Good
Hacksawing & Filing Quality	Poor	Medium	Good
Surface Finish	Poor	Medium	Good

What did I do well :

What do I need to improve on :



1st Racing Car	2011
PracticalStudent.com	
Part Number : 4	
Part Name : Wing Support	
Material : Aluminium	A4
	2/1/11
Required : 2	Drawing 4 of 5

Before Starting

Tools for Marking Out :

Tools for Manufacturing :

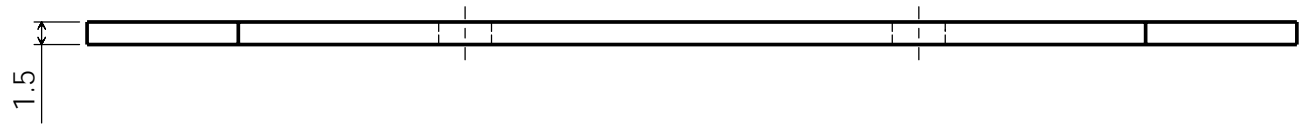
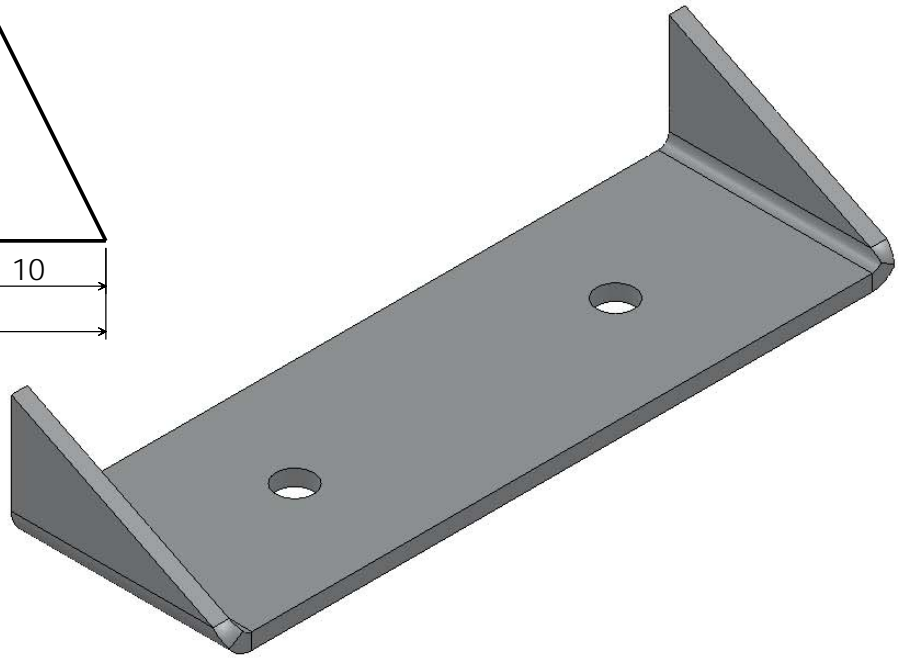
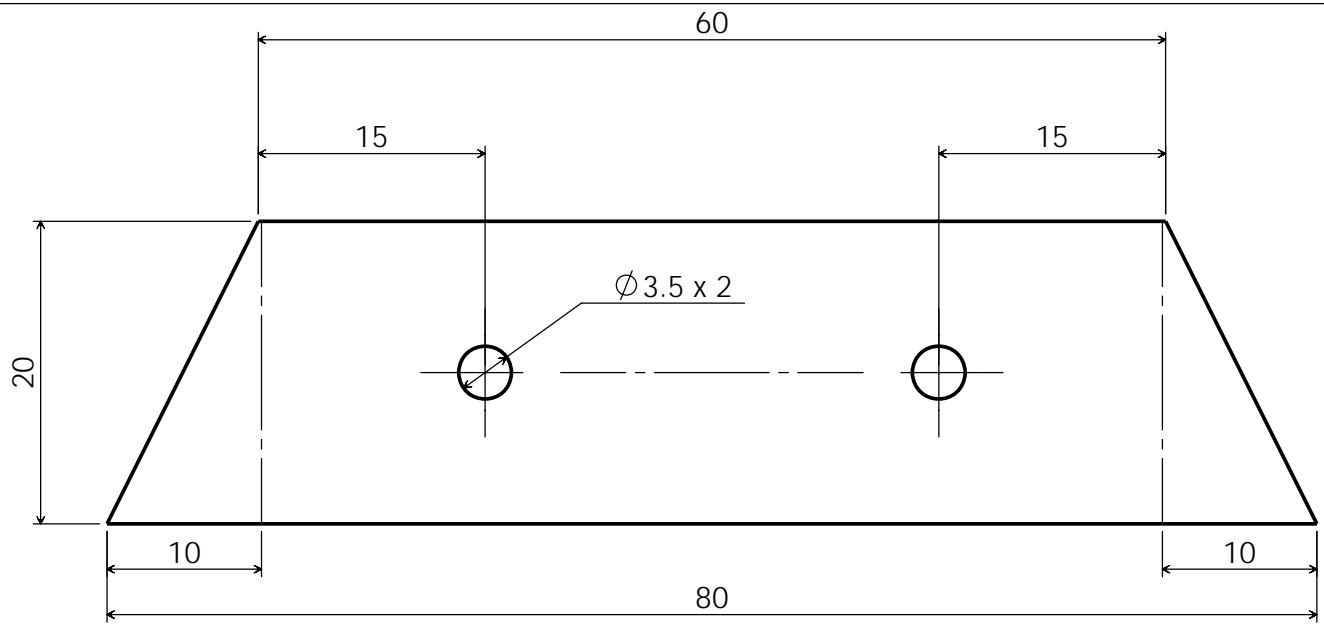
Skill I am going to concentrate on :

After completion

Marking Accuracy	Poor	Medium	Good
Hacksawing & Filing Quality	Poor	Medium	Good
Surface Finish	Poor	Medium	Good

What did I do well :

What do I need to improve on :



1st Racing Car	2011
PracticalStudent.com	
Part Number : 5	
Part Name : Wing	
Material : Aluminium	A4
	2/1/11
Required : 1	Drawing 5 of 5

Before Starting

Tools for Marking Out :

Tools for Manufacturing :

Skill I am going to concentrate on :

After completion

Marking Accuracy	Poor	Medium	Good
Hacksawing & Filing Quality	Poor	Medium	Good
Surface Finish	Poor	Medium	Good

What did I do well :

What do I need to improve on :

